

IP65

CE



325 SVD is a sensor for sensing AC High Voltage. It provides electric engineering personnel, power engineering personnel, firefighting personnel and instrument equipment workers with prominent warning when approaching high voltage source.

METHOD OF USE

- Inspection before use
 - (1) Check the appearance and structure for any abnormality.
 - (2) Press Self-Test switch (about 3 seconds) to confirm all functions are working normally.
 - (3) To be careful and to avoid misjudgment, test the unit by contacting AC 110V insulated wire with its front side to see if it sounds and flashes.
- Wearing

Wear the unit on the outer side of the wrist with the sensing side facing outward, as shown in the following figure.

※ The effect is best when the sensing side is facing high voltage at right angles (90 degrees).



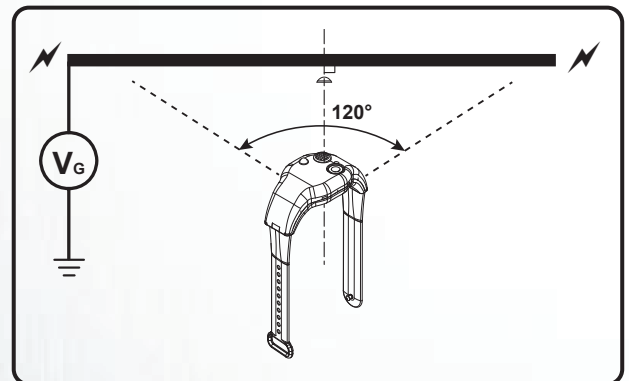
Voltage	Detection Angle	Detection Distance
11kV (11kV phase to ground)	120°	120 cm ± 20%
22kV (22kV phase to ground)	120°	140 cm ± 20%
33kV (33kV phase to ground)	120°	160 cm ± 20%

SEW

PERSONAL SAFETY VOLTAGE DETECTOR

- Compact, easy to wear and convenient in use
- Designed for indoor and outdoor use
- Water-proof design. (IP65)
- Equipped with self-testing functions
- Able to sense all kinds of AC High Voltage System
- Low power consumption
- CE Certified

※ **325 SVD has a wide angle for voltage detection (about 120°)**



SPECIFICATIONS

- Distance of starting warning : 120 cm for 11kV (phase to ground)
- Applicable frequency : 50 / 60 Hz
- Volume : 70dB or higher at 1 meter distance
- Operating Temp & Humidity : 0°C ~ 40°C / 80% RH.
- Dimensions : (without the watchstrap) 79(L) × 33(H) × 42(D) mm
- Weight : 42g (battery included)
- Battery type : CR2032
- Battery life : 50 hours for continuous use.
- Accessories : Instruction Manual, Battery